

Beta-250

Automatic Cut-off Machine

CUTTING



2024

08 / 20

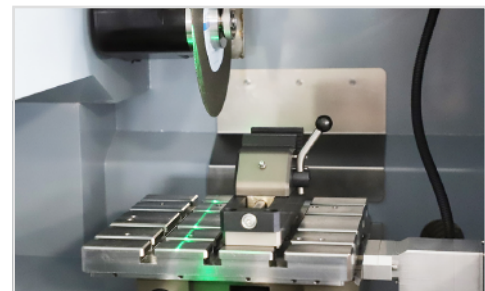
TROJAN (SUZHOU) MATERIAL TECHNOLOGY CO.,LTD

Beta-250 Automatic Cut-off Machine

Beta-250 is a fully automatic cutting machine, suitable for cutting various metal materials, ceramics, quartz glass and petrographic samples, etc. It can realize fully automatic cutting of multiple sections with different thicknesses in XYZ three axes.

Features:

- ◆ Fully automatic control of XYZ axes.
- ◆ Extra-large worktable and cutting chamber; the size of the worktable is 300*280mm.
- ◆ Opening on both sides for extra-long specimens.
- ◆ 8" Touch-Screen user interface.
- ◆ Laser tool setting device.



Technical Specifications:

Model		Beta-250
Cutting wheel	Speed	1000-3000rpm
	Diameter	Φ254mm
	Hole-distance	Φ32mm
Electricity	Input	3x380V/50Hz + Neutral + Ground
	Power	3.8KW
Cutting capacity	Max. cutting capacity	Φ85mm
	Maximum square section	85x250mm
Intelligent cutting	Cutting mode	Vertical Cutting / Horizontal Cutting
	Feeding method	Constant speed cutting
Travel	Feeding method	Y direction (front and back): 250; X direction (left and right): 100
Working table	Dimension	280x300(WxD)
	T-slot	12mm
Dimensions	WxD×H	930×900×720mm
Weight		250kg

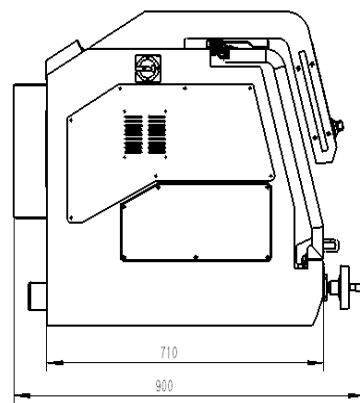
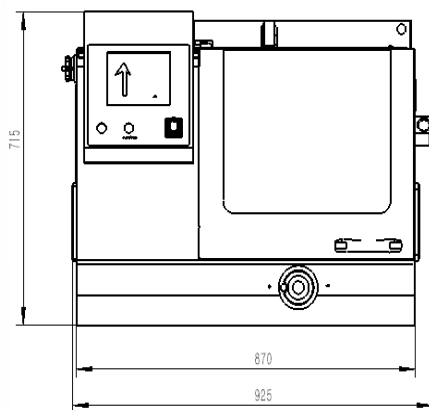
Control panel:



- ① Touchscreen
- ② Emergency button
- ③ Start/Stop button
- ④ Joystick handle

Dimension Figure

Unite: mm



Related Consumables & Accessories:



F250L/R



Vertical Clamp



Vertical clamp











Cut Off Wheels




Cutting Coolant

Technical Specifications:

1	Circulating water tank system		2Capacity 60L, flow rate 11.7L/Min	1set
2	Vise clamps		F250L/R	1set
3	Open-end wrench		22mm open end wrench	1pc
4	Allen key		6、8mm Allen key	1pc each
5	Water inlet pipe		Φ19mm rubber tube 1.5m	1pc
6	Water outlet pipe		Φ64mm corrugated pipe and clamp	1pc
7	Cutting coolant		TJ-1410,(2000ml)	1bottle
8	Cutting disc		A603020(250*32*1.5) A503020(250*32*1.5)	5pcs each

Optional accessories:

1	Vertical clamp			1pc
1	Spacers for large vertical clamp			1pc
1	Extension arm for large vertical clamp			1pc

Purchase list:

Cut Off Wheels:

01.01.150	A60 Cut Off Wheels(Extremely Hard)	A602515	250*32.0*1.5mm	10pcs
01.01.250	A50 Cut Off Wheels(Medium Hard)	A502515	250*32.0*1.5mm	10pcs
01.01.350	A30 Cut Off Wheels(Soft)	A302515	250*32.0*1.5mm	10pcs
01.02.450	S20 Cut Off Wheels(Soft Non-Ferrous)	S202515	250*32.0*1.5mm	10pcs

Diamond Wafering Blades:

01.03.560	DP Diamond Plating Wafering Blade	DP253215	250*32.0*1.5mm	1PC
01.04.660	DR Diamond Resin Bond Wafering Blade	DR253215	250*32.0*1.5mm	1PC
01.05.760	DM Diamond Metal Bond Wafering Blade	DM253215	250*32.0*1.5mm	1PC

CBN Wafering Blades:

01.06.960	CBN-R CBN Resin Bond Wafering Blades	CBN-R253215	250*32.0*1.5mm	1PC
01.10.960	CBN-M CBN Metal Bond Wafering Blades	CBN-M253215	250*32.0*1.5mm	1PC

Cutting Coolant:

01.07.810/820	TJ 1220 Cutting Coolant			1L/5L
01.07.857/860	TJ 1410 Cutting Coolant			1L/5L
01.07.890/900	TJ 1506 Cutting Fluids Preservatives			1L/5L



TROJAN (SUZHOU) MATERIAL TECHNOLOGY CO.,LTD

Tel: +86-512-65283666

Email: sales@trojanchina.com

Web: www.trojanworld.com

Add: Building 26, No.228 Gongtang Road, Luzhi Town, Wuzhong Suzhou, China

